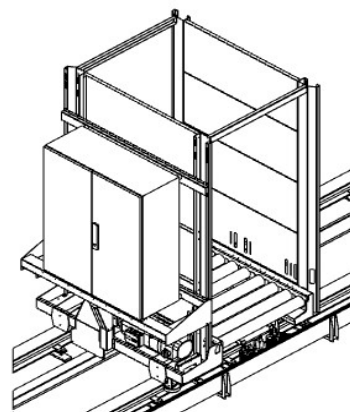
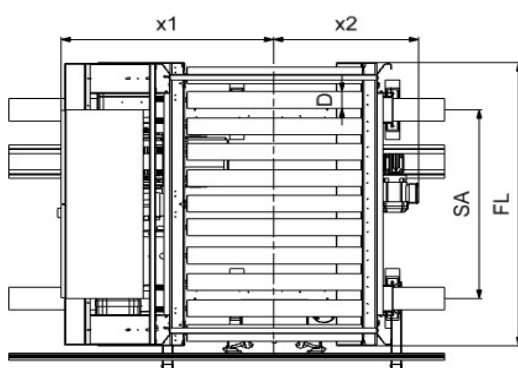
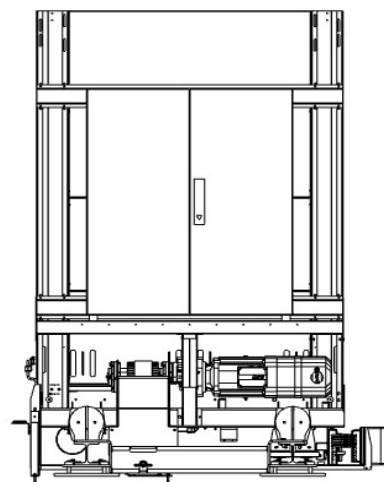
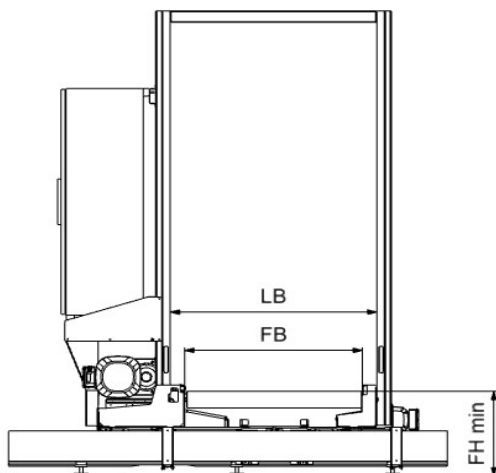


3 m/s - Fast & easy distribution of load carriers with our QVW PRO

- Suitable for the horizontal transport of full and empty pallets (e.g. Euro, industrial and half pallets), pallet cages, workpiece carriers and skids.
- Horizontal movement via toothed belt with Omega drive.
- Speed up to 3 m/s.
- Conductor rails are installed for power transmission.
- Smooth running thanks to the use of Vulkollan wheels.
- Drive purely electromechanical.
- Load capacity up to 1,500 kg.
- Simple installation by dowelling to the hall floor.
- Roller conveyors, chain conveyors or telescopic forks are suitable load handling devices.
- Adjustable uprights are used to compensate for uneven floors.
- Use at normal room temperature and down to -30 °C in the deep-freeze area.
- Surface sendzimir galvanised or powder-coated in your RAL colour.
- Special design on request.



List of abbreviations

FGB	= width of conveyed material	D	= diameter of the idler roller	FHmin	= conveying height min.
SA	= rail spacing	GB	= total width	FB	= conveying width
FGG	= weight of the conveyed material	x1	= start dimension 1	FL	= conveying length
v max	= drive speed max.	x2	= start dimension 2	LB	= clear width

Standard dimensions in mm (Special versions are possible on request)

Conveyed material	Dimensions									Carrying capacity in kg	Drive speed in m/s
	FGB	FB	FHmin	FL	LB	x1	x2	GB	SA		
800	860	450	1500	1000	1040	710	1750	1000	89	1500	3
1000	1060	450	1500	1200	1140	810	1950	1000	89	1500	3
1200	1260	450	1500	1400	1240	910	2150	1000	89	1500	3