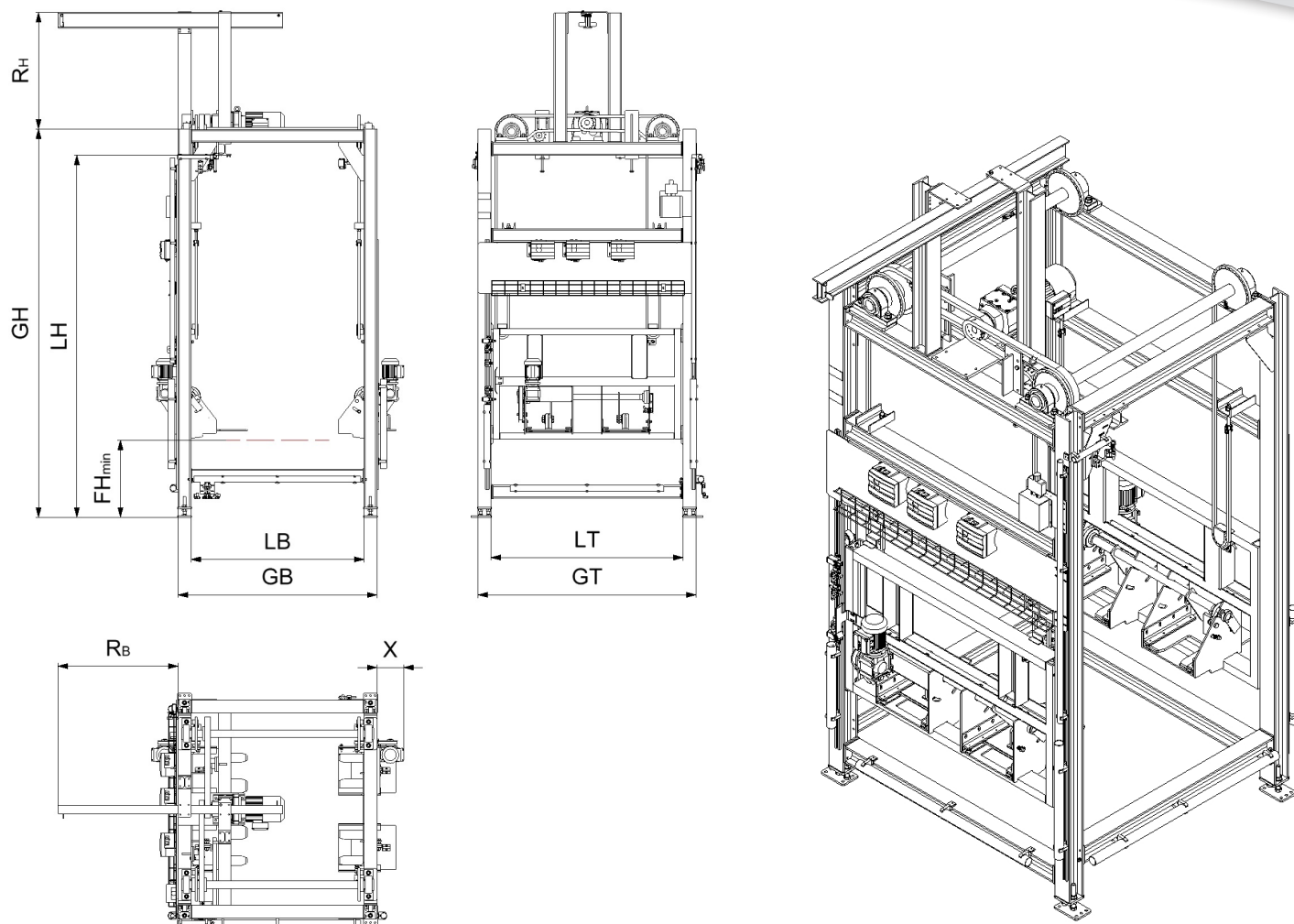




**High variance and flexible applicable – The robust and low-maintenance allrounder from CCI**

- Depending on the application, the following functions can be realized with the pallet doubler:
  - **Removing or underneath** slave or in-house pallets.
  - **Stacking or destacking** different empty pallets / pallet stacks.
  - **Stacking or destacking** of loaded pallets.
  - **Half pallet doubler:** Remove or underneath slave or in-house pallets on half-pallets with different overloads or in crosswise transport with extended stacking swords.
  - **Other applications** can be realized on request.
- Load capacity 1,500 kg.
- The pallet can be handled lengthwise and crosswise – flexible frame construction.
- Minimal space requirement, as the machine stands above the roller conveyor, elevating unit, chain conveyor.
- The lifting movement of the cars is initiated by 16B1 roller chains.
- The cars are guided by maintenance-free rollers.
- The stacking swords are moved pneumatically or optionally electrically laterally into the free spaces of the pallet.
- Low-maintenance storage of robust stacking swords.
- Damage is almost eliminated by the robust construction.
- Easy integration of existing conveyors.
- Easy commissioning.
- Surface powder-coated in your RAL color.



**List of abbreviations**

<b>FGT</b> = Type of conveyed material	<b>LT</b> = Clear depth	<b>GH</b> = Overall height (dep. on LH)	<b>RH</b> = Height of the repair gallow
<b>FGB</b> = Width of conveyed material	<b>LH</b> = Clear height (dep. on function, FGH and FHmin)	<b>Ü</b> = All-sided overload of the pallet	<b>RB</b> = Width of the repair gallow
<b>FGL</b> = Length of conveyed material	<b>GB</b> = Overall width	<b>Q</b> = Crosswise drive out (Function: Yes=600 mm, No=0 mm)	<b>x</b> = Electric sword drive (depending on drive variant)
<b>LB</b> = Clear width	<b>GT</b> = Overall depth	<b>FHmin</b> = min. conveyor height = 250+LAM	<b>FGG</b> = Load capacity

**Standard dimensions in mm (Special versions are possible on request)**

Conveyed material			Conveyor data				Load capacity in kg	Drive	Variant
FGT	FGB	FGL	LB	LT	GB	GT	FGG	P in kW	Type
Euro lengthwise	800	1200	FGB + Ü + 700	FGL + Ü + Q + 300	LB + 200	LT + 200	max. 1500	1,1 - 3,0	685.01
Euro crosswise	1200	800	FGB + Ü + 700	LTmin = 1200 + Q	LB + 200	LT + 200	max. 1500	1,1 - 3,0	685.11
Indu lengthwise	1000	1200	FGB + Ü + 700	FGL + Ü + Q + 300	LB + 200	LT + 200	max. 1500	1,1 - 3,0	685.21
Indu crosswise	1200	1000	FGB + Ü + 700	LTmin = 1200 + Q	LB + 200	LT + 200	max. 1500	1,1 - 3,0	685.31
2x Half-Pall. lengthwise	800	2 x 600	FGB + Ü + 700	FGL + Ü + Q + 300	LB + 200	LT + 200	max. 1500	1,1 - 3,0	685.42
2x Half-Pall. crosswise	2 x 600	800	FGB + Ü + 700	LTmin = 1200 + Q	LB + 200	LT + 200	max. 1500	1,1 - 3,0	685.32
2x Half-Pall. lengthwise with car shift	800	2 x 600	FGB + Ü + 700	1400	LB + 200	LT + 200	max. 1500	1,1 - 3,0	685.61