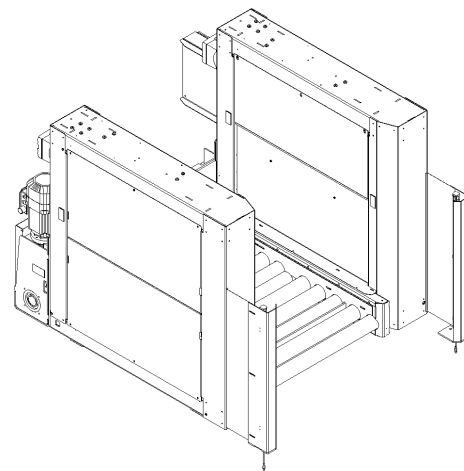
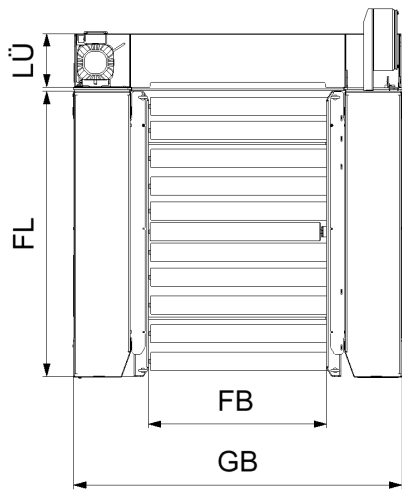
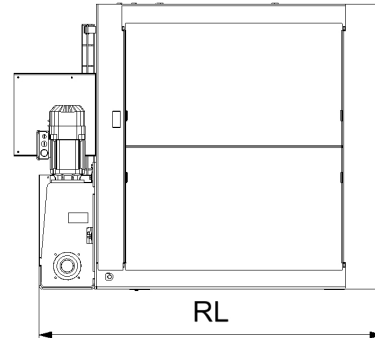
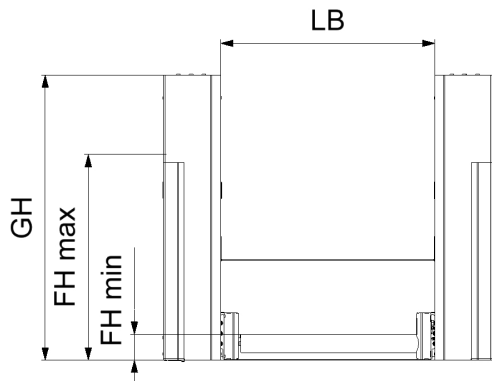


Purely electromechanical - Ideal for the modernization of maintenance-intensive hydraulic devices

- Can be used as an intermediate component for bridging/compensation of two different conveyor heights.
- Drive purely electromechanical - without hydraulics.
- Load capacity incl. pallet up to 1,500 kg.
- Lifting speed of 0.0 5m/sec. in the standard.
- Realizable from a min. conveyor height of 70 mm and a max. conveyor height of 1.000 mm in our standard.
- The lifting movement of the car is electromechanical initiated and raised by the low-noise polyurethane straps with steel strands.
- Maintenance friendly (durable belts, no oil changes, no leaking oil tanks and/or hoses).
- Mounting directly on the base plate - a pit is not necessary.
- Can be used at normal room temperature and down to -20 °C in the freezer area.
- Optional (depending on the application also in the standard) a safety light grid ensures the necessary personal, functional and operational safety of the machine.
- Easy integration and installation in an existing conveyor system.
- Surface powder-coated in your RAL color.
- Special version on request.



List of abbreviations

FGT	= Type of conveyed material	FHmax	= max. conveyor height	RL	= Frame length	GH	= Overall height
FGL	= Length of conveyed material	FL	= Conveyor length	GL	= Overall length	FGG	= Load capacity
FGB	= Width of conveyed material	FB	= Conveyor width	GB	= Overall width		
FHmin	= min. conveyor height	LÜ	= Overhang length	LB	= Clear width		

Standard dimensions in mm (Special versions are possible on request)

Conveyed material			Conveyor height		Machine dimensions								Load capacity in kg
FGT	FGL	FGB	FHmin	FHmax	FL	FB	LÜ	RL	GL	GB	LB	GH	FGG
Euro	1200	800	70	625	1380	860	250	1670	2000	1600	1040	1380	1500
Half-Pall.	600	800	70	625	1380	860	250	1670	2000	1600	1040	1380	1500
Indu-Pall.	1200	1000	70	625	1380	1060	250	1670	2000	1800	1240	1380	1500
Euro	1200	800	70	1000	1380	860	250	1670	2000	1600	1040	1960	1500
Half-Pall.	600	800	70	1000	1380	860	250	1670	2000	1600	1040	1960	1500
Indu-Pall.	1200	1000	70	1000	1380	1060	250	1670	2000	1800	1240	1960	1500